

Mercury 310 / SolarBOX / TITAN 912L

Quick Start Installation Guide

Actuator And Control Box Installation (perform ALL steps in numerical order):

IMPORTANT! Read entire manual before attempting the installation. This is NOT a "do-it-yourself" project. Use a qualified contractor to install this system. Read all safety information!

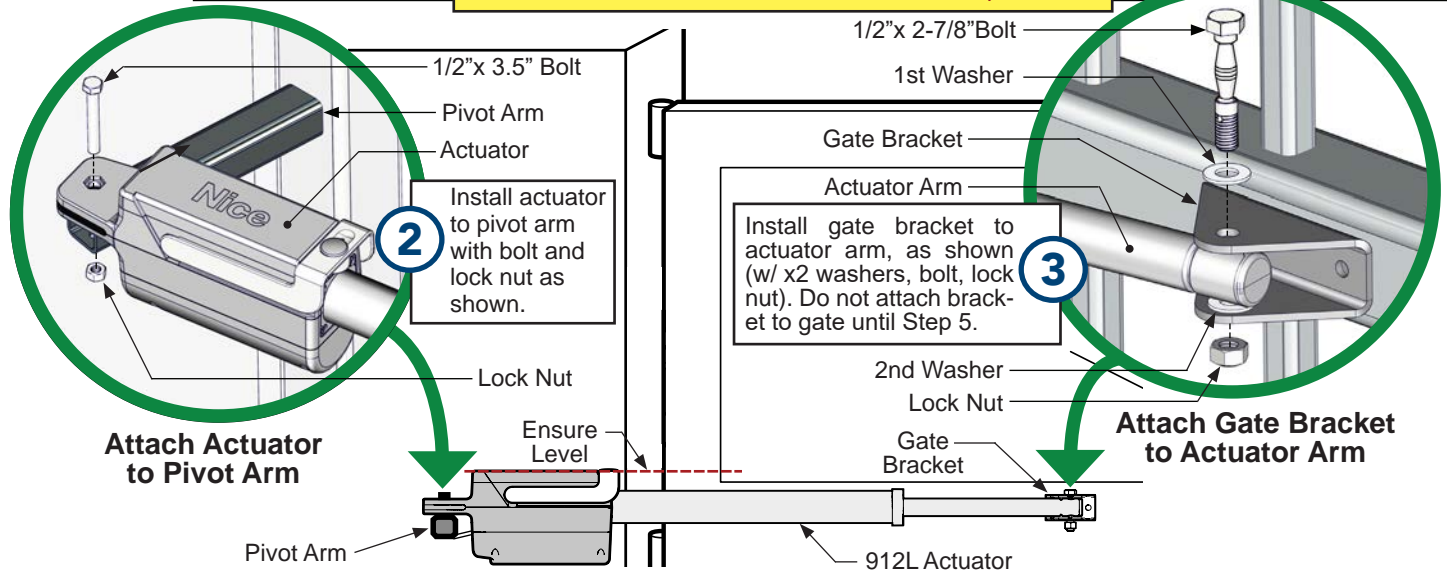
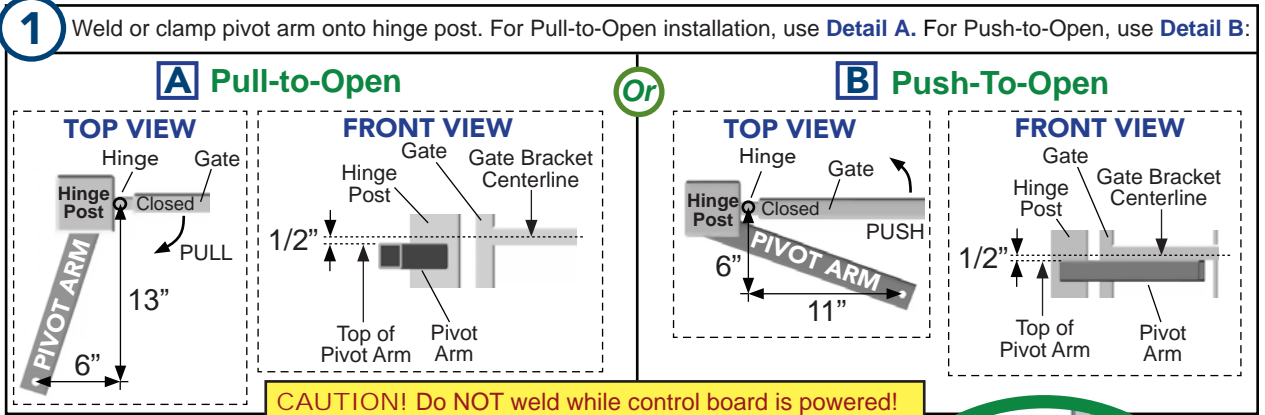
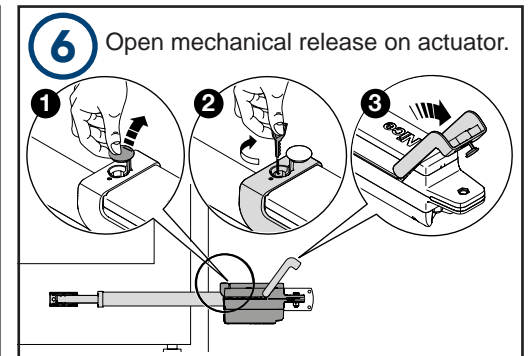
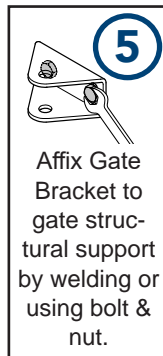
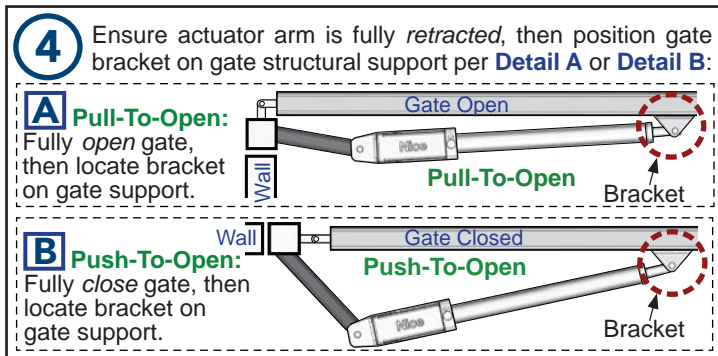


Fig-1: Pivot Arm, Actuator, & Gate Bracket Install



CAUTION! Do not mount the control box where the person using the push button on box can come in contact with the gate!

7 With actuator release open, set mechanical limits by manually pushing gate to desired close limit, then to desired open limit, then to halfway open position. Close release, but do not lock.

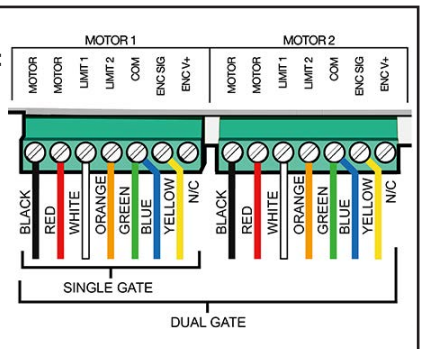
8 Mount Control Box same side as primary actuator and minimum 6 feet away from pivot arm (See Fig-2).

9 Place Battery inside control box with terminals facing toward the front.

10 Wire TITAN 912L to control board:

Pass cable through rubber grommets in bottom of control box and wire per diagram at right.

For dual gate install, dig trench across drive and run 2nd actuator cable through conduit.



Mercury 310 / SolarBOX / TITAN 912L

Quick Start Installation Guide

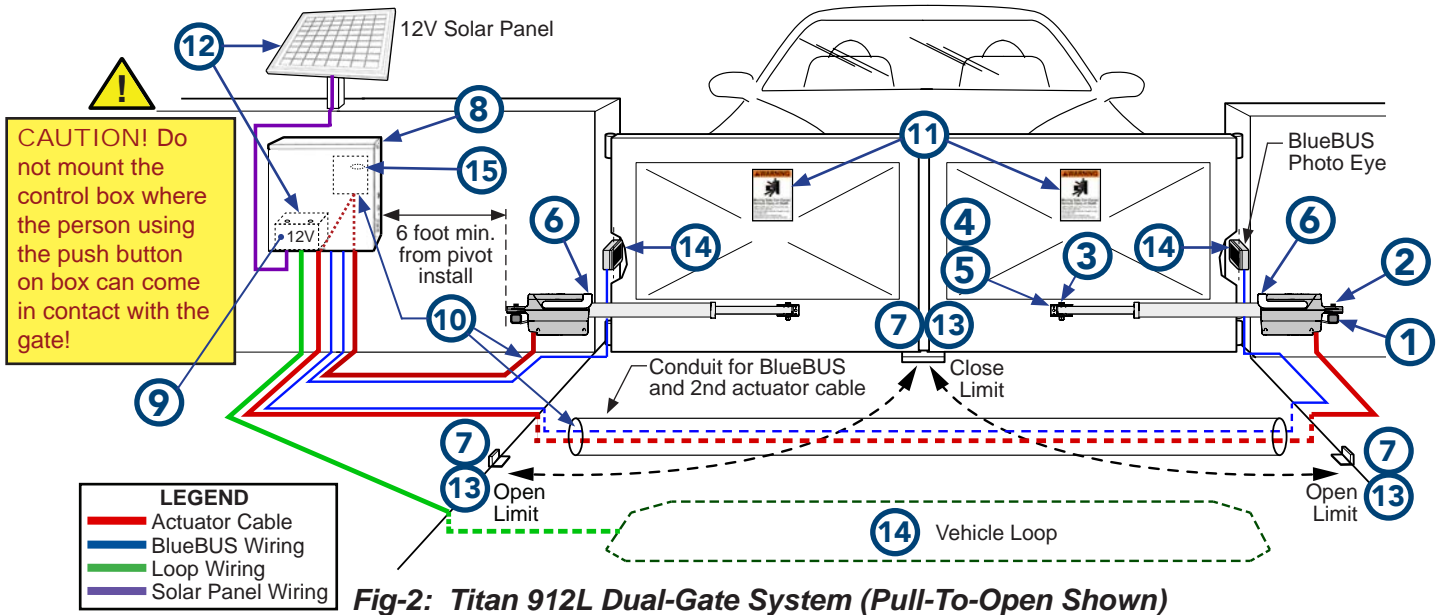
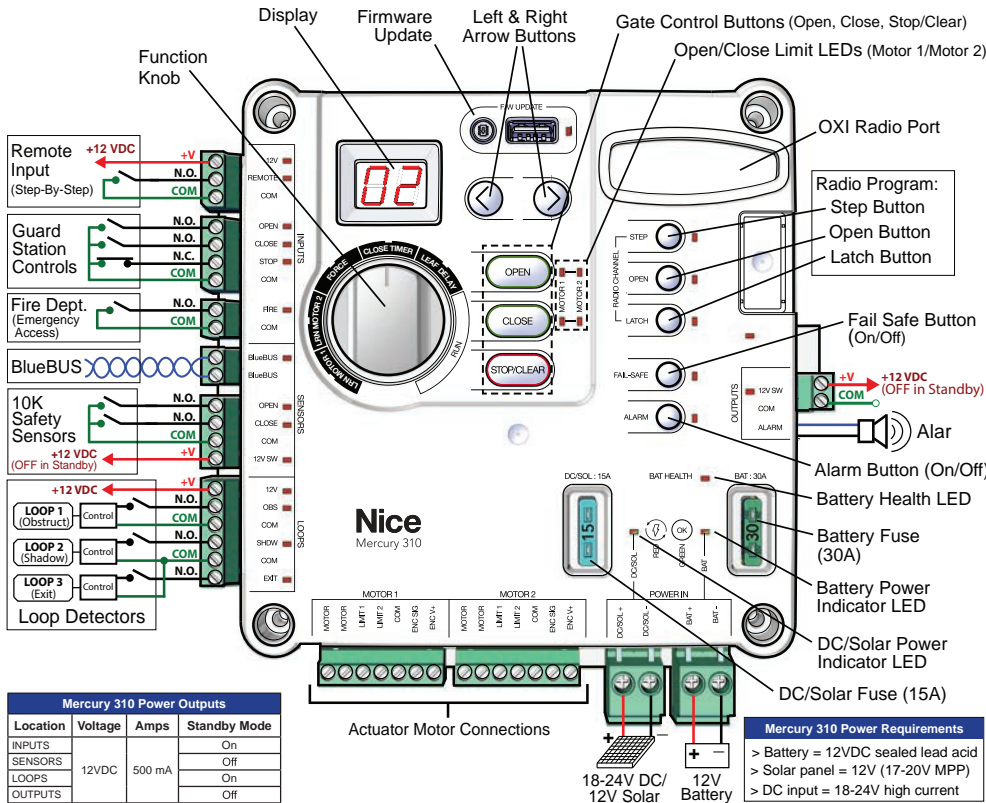
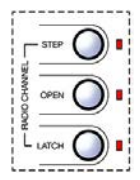


Fig-2: Titan 912L Dual-Gate System (Pull-To-Open Shown)

- 11** Attach warning signs to gate(s).
- 12** Connect battery and solar panels to Mercury controller. See power inputs in image below.
- 13** Perform Gate Limit Learn procedure (below right).
- 14** Connect other accessories, such as loop detectors, photo eyes, or other safety devices. See controller accessory inputs in the image below.
- 15** To program the OXI receiver, press/hold desired button on remote control, then within 2 seconds press & release the STEP, OPEN, or LATCH button on Mercury controller. LED flashes twice & alarm chirps to indicate programming success.



- ### Gate Limit Learn Procedure:
- Set function knob to LRN MOTOR 1 (display flashes **L1**).
 - Use Left/Right buttons to "jog" gate to between open and close limits.
 - Press/hold both left and right buttons for two (2) seconds.
 - Display will show solid **L1** and gate will run at crawl speed to first limit.
 - After reaching first limit, display flashes between **OP** and **CL** (LEDs also flash).
 - Observe *current* position of the gate and do only one of the following:
 - If gate is at *open* limit, press the **open** button.
 - If gate is at *close* limit, press the **close** button.
 - Gate auto-runs to 2nd limit at crawl speed & stops, then runs to 1st limit at normal speed & stops, then runs to the 2nd limit at normal speed & stops.
 - When finished, display will show either **OP** or **CL**, depending on buttons pressed during procedure.
 - If dual gate, set function knob to LEARN MOTOR 2 (display flashes **L2**) & repeat all steps for 2nd motor.

Fig-3: Mercury 310 Controller Features

Mercury 310 Power Outputs			
Location	Voltage	Amps	Standby Mode
INPUTS	12VDC	500 mA	On
SENSORS			Off
LOOPS			On
OUTPUTS			Off

Mercury 310 Power Requirements	
> Battery	= 12VDC sealed lead acid
> Solar panel	= 12V (17-20V MPP)
> DC input	= 18-24V high current