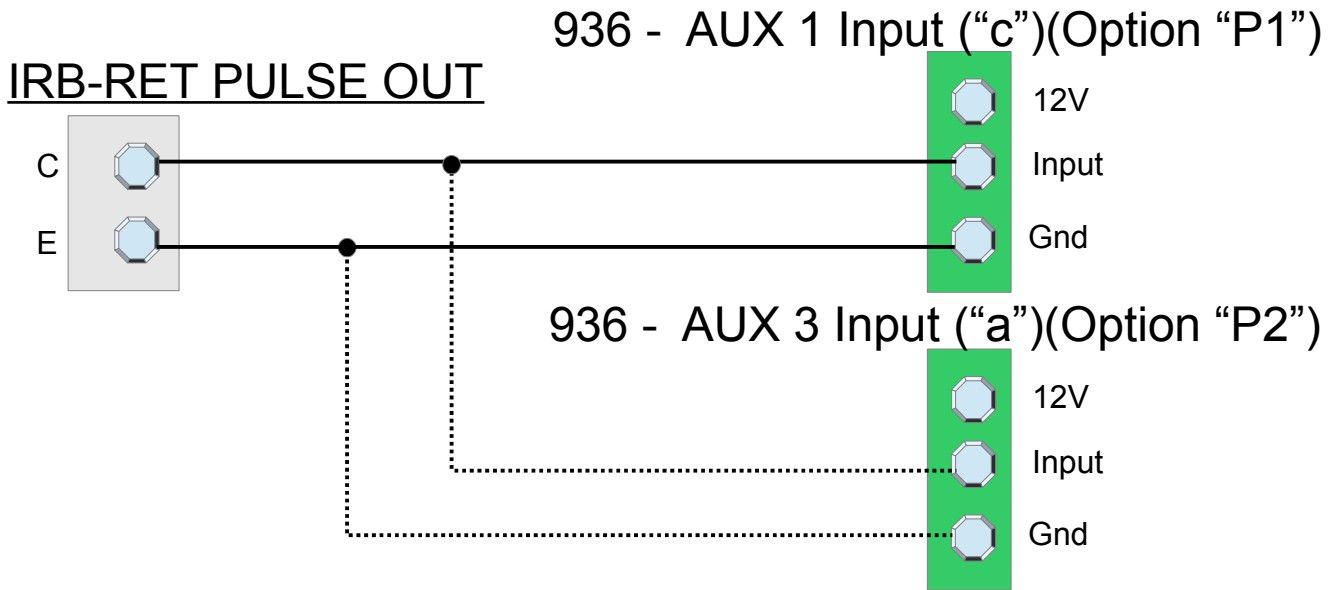
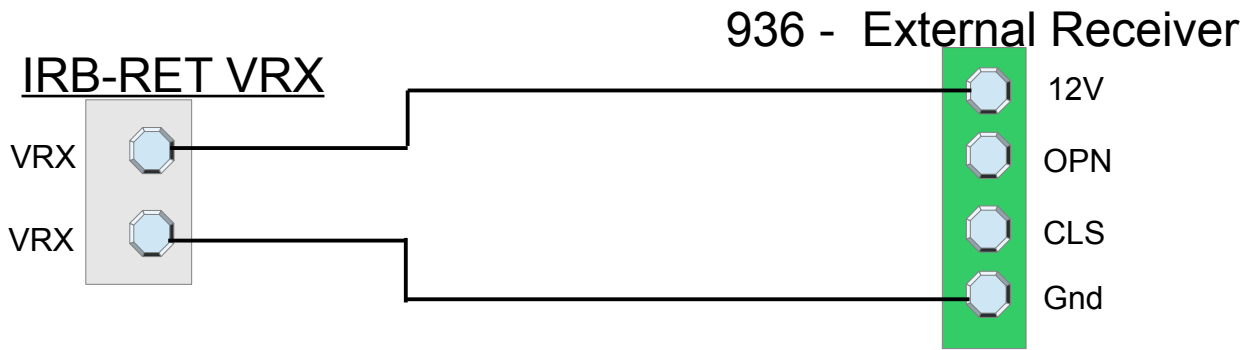


EMX IRB-RET to 936 Wiring Diagram and Programming (4-Wire)



IRB-RET Jumper Settings

4W2W



10K



JP2



JP4



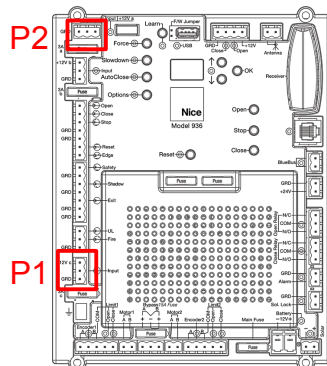
IRB-RET Switch Settings

SW1 – ON

SW2 – OFF

SW3 – OFF

SW4 – OFF



936 Gate Operator Aux1/ Aux3 Input Programming

1. Press 936 front panel button labeled "Option".
2. Press 936 down arrow to navigate to "P1" (or "P2").
3. Press "OK"
4. Press 936 up arrow or 936 down arrow, then "OK" to set P1 to option "0", "1", or "2":
 - Option "0" is the **step-by-step** setting for the input.
 - Option "1" is the **Safety** setting for the input.
 - Option "2" is the **Entrapment** setting for the input.
5. Repeat step 4 above for the "P2" option (AUX3 input).
6. Default settings for "P1" and "P2" is "0" (step-by-step setting).