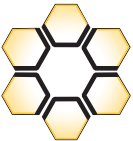
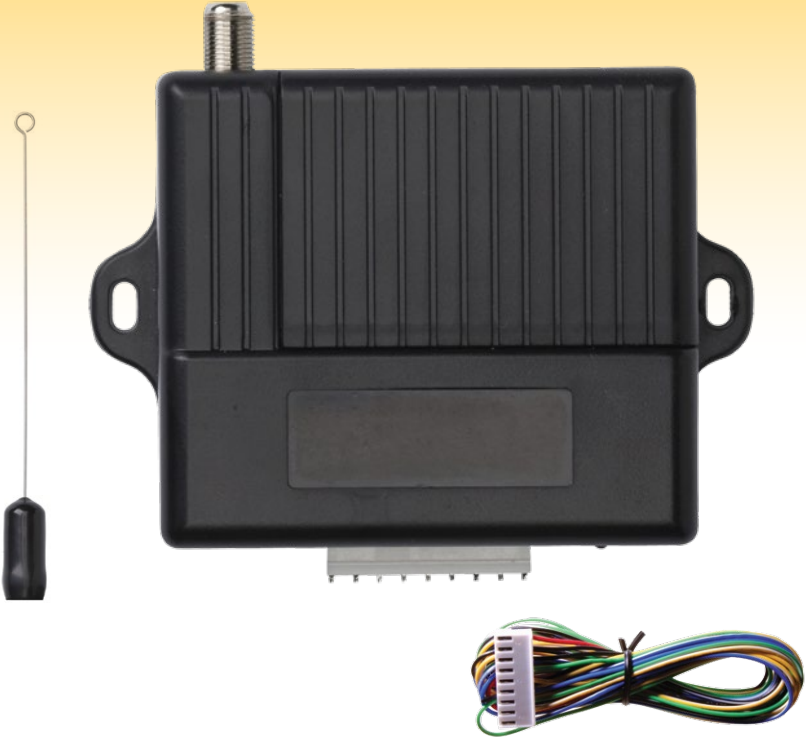


HIVE® 300/310 MHz RECEIVER

USER MANUAL



HIVE™

Transmitter 
SOLUTIONS®

TECHNICAL SPECIFICATIONS

Output Load MAX:	15A/125AC
Input Load:	12-24VAC/DC Auto Detecting
Power Supply Consumption:	
Relay Active:	70mA
Relay Not Active:	32mA
Max Applicable Power:	25VDC
Operating Temperature:	-40°F to 158°F

1. ACCESS THE JUMPERS & DIP SWITCHES

Open the access door by sliding it to the right. See Fig 1.

You can now see the jumper and dip switches. See Fig 2.

The Hive receiver will automatically detect voltage between 12-24 V, either AC or DC.

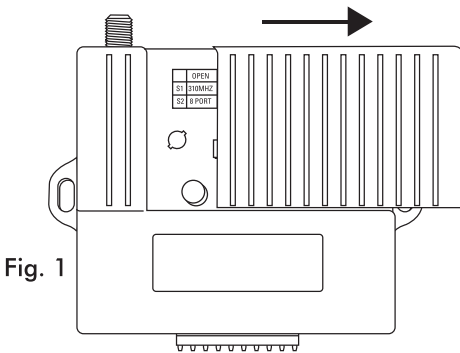


Fig. 1

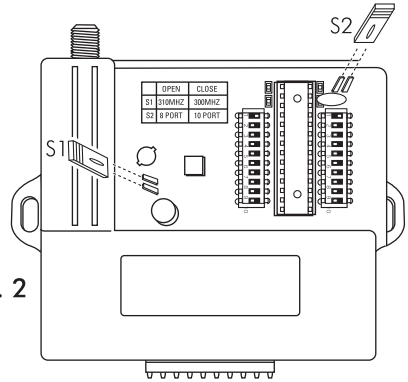


Fig. 2

2. SET THE JUMPERS

Determine the operating frequency you will use on your installation. The Hive receiver can operate at either 300 MHz or 310 MHz. At 300 MHz the Hive receiver is compatible with all MultiCode® transmitters with 10 dip switches operating at 300 MHz. At 310 MHz the Hive receiver is compatible with all Linear® transmitters with 8 dip switches and Stanley® transmitters with 10 dip switches operating at 310 MHz. See Fig 2.

- A. For 300 MHz with 10 dip switches, jumpers S1 and S2 must be in place.
- B. For 310 MHz with 8 dip switches, jumpers S1 and S2 must be removed.
- C. For Stanley® 310 MHz with 10 dip switches, jumper S1 must be removed and jumper S2 must be in place.

3. SET THE DIP SWITCHES

Set the dip switches to the desired settings to match your transmitters SW1 controls Relay 1 and SW2 controls Relay 2. Refer to Fig 2.

4. WIRE THE RECEIVER HARNESS

Wire the receiver harness according to the wiring diagram (see Fig 5.) For ease of installation the wires are color coded. For most standard gate and door installations you will wire the open input of your gate operator or garage door, with the common and NO (normally open) contact of either relay 1, 2 or both. See Fig 5.

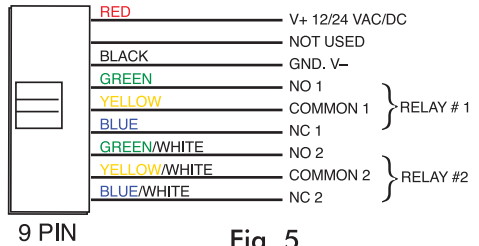
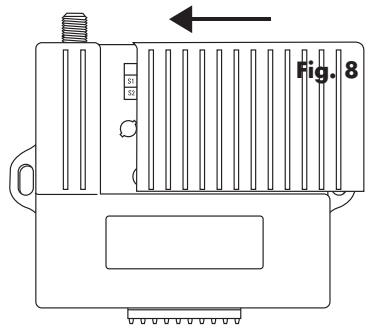
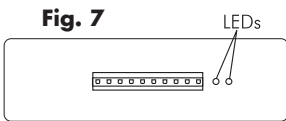
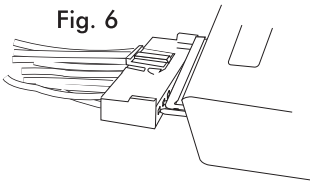


Fig. 5

5. TESTING

- Attach the wiring harness to the receiver. See Fig 6.
- Verify the receiver has power. This can be verified by observing if LED1 and LED2 are illuminated. See Fig 7.
- Push the button on a transmitter that has been programmed to the same code as the receiver. If you hear the relay click and see the LED flash quickly, you have successfully wired the receiver.
- Close the access door on the receiver. See Fig. 8



6. INSTALLATION

- Mount the receiver in a safe and convenient location on your installation. Remember to take care to avoid items that may cause interference with the receiver such as electric motors, etc. The receiver can be attached with either the mounting screw holes of the ho using or by using industrial strength velcro.
- Install the coax antenna (provided) by screwing it onto the antenna mount which protrudes from the top of the housing.
- After you have completed the installation check for operational range from various areas around the installation. If the range is less than desired, try re-positioning the antenna, receiver, or both and re-test the range.

6. WARRANTY

The warranty period of this product is 24 months, beginning from the manufacturing date. During this period, if the product does not operate correctly, due to a defective component, the product will be repaired or replaced at the sole discretion of Transmitter Solutions. This warranty does not extend to the product casing which can be damaged by conditions outside of the control of Transmitter Solutions.

EXCEPT AS SET FORTH ABOVE, TRANSMITTER SOLUTIONS MAKES NO WARRANTIES REGARDING THE GOODS, EXPRESS OR IMPLIED, INCLUDING WARRANTY OF MERCHANTABILITY OR WARRANTY OF FITNESS FOR A PARTICULAR PURPOSE. BUYER MAKES NO RELIANCE ON ANY REPRESENTATION OF TRANSMITTER SOLUTIONS, EXPRESS OR IMPLIED, WITH REGARD TO THE GOODS AND ACCEPTS THEM "AS-IS/WHERE-IS". TRANSMITTER SOLUTIONS SELLS THE GOODS TO BUYER ON CONDITION THAT TRANSMITTER SOLUTIONS WILL HAVE NO LIABILITY OF ANY KIND AS A RESULT OF THE SALE. BUYER AGREES THAT TRANSMITTER SOLUTIONS SHALL HAVE NO LIABILITY FOR DAMAGES OF ANY KIND, WHETHER DIRECT, INCIDENTAL OR CONSEQUENTIAL DAMAGES, INCLUDING INJURIES TO PERSONS OR PROPERTY, TO BUYER, ITS EMPLOYEES OR AGENTS, AS A RESULT OF THE SALE. BUYER ALSO AGREES TO HOLD TRANSMITTER SOLUTIONS HARMLESS FROM ANY CLAIMS BUYER, OR ANY THIRD PARTY, MAY HAVE AS A RESULT OF BUYER'S USE OR DISPOSAL OF THE GOODS. BUYER HAS READ THIS DISCLAIMER AND AGREES WITH ITS TERMS IN CONSIDERATION OF RECEIVING THE GOODS.